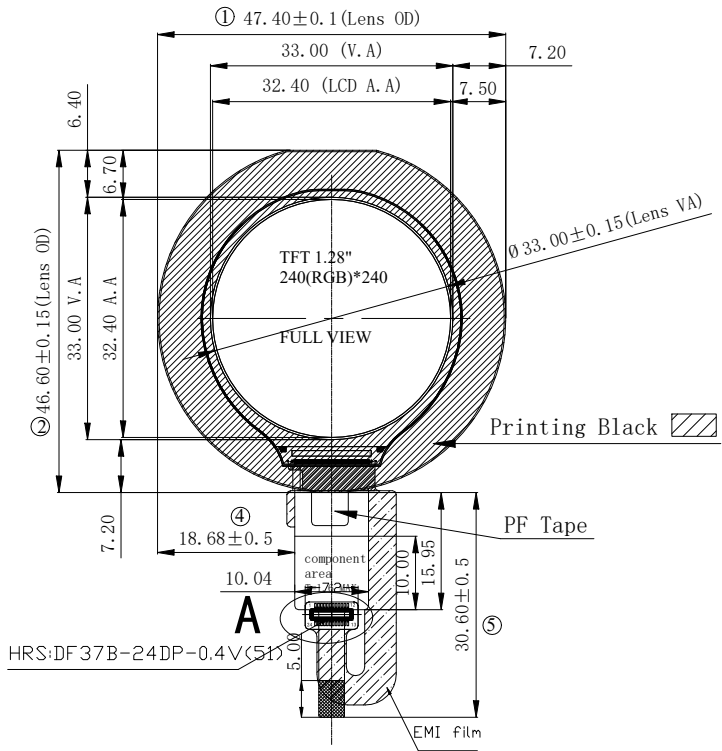
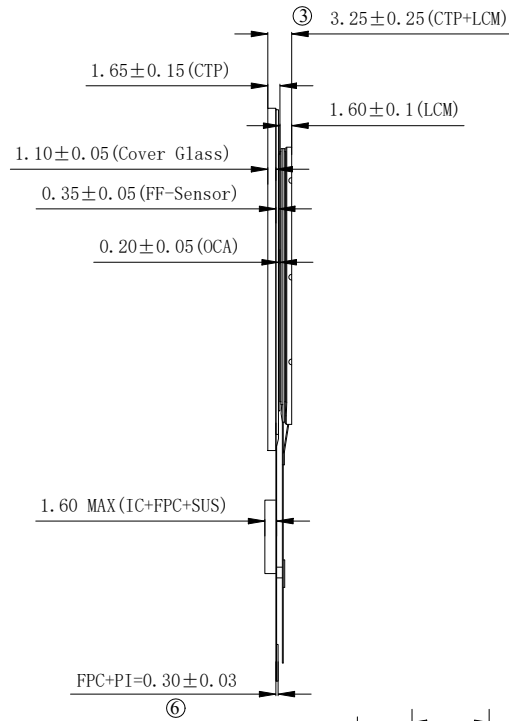


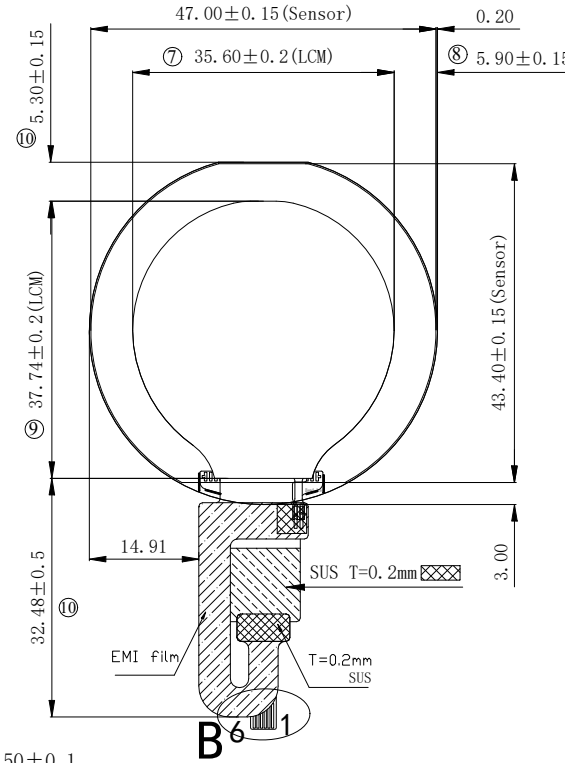
Front View



Side View



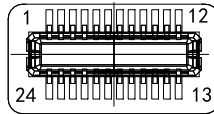
Back View



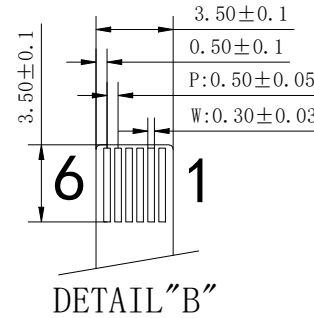
LCM PIN ASSIGNMENT

PIN	SYMBOL
1	LEDK
2	LEDK
3	GND
4	GND
5	FMARK
6	SDA
7	WR(A0)
8	SCLK
9	CS
10	RESET
11	IDVCC18
12	IDVCC18
13	VCC28
14	VCC28
15	GND
16	GND
17	NC
18	NC
19	NC
20	NC
21	NC
22	NC
23	LEDA
24	LEDA

HRS:DF 37B-24DP-0.4V<51



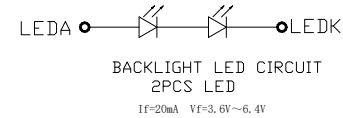
DETAIL "A"



DETAIL "B"

CTP PIN ASSIGNMENT

PIN NO	DINFINATION
1	VDD (3.3V)
2	RST
3	INT
4	SDA (3.3V)
5	SCL (3.3V)
6	GND



NOTES:

1. GENERAL TOLERANCE: ± 0.2
2. () REFERENCE DIMENSION
3. Important dimension: ①~⑩

LCD Type	1.3" TFT, Transmissive Normally Black, IPS
Resolution	240(RGB)*240
View Direction	All o'clock
LCD driver IC	GC9A01
Colour depth	65K/262K
Interface types	3-Line SPI
Operating voltage	2.8~3.3V
With TP/Lens	with CTP (CF1615)
Backlight	2 LEDs, 20mA(typ), 6.2V(ref.)
Surface luminance	250 cd/m ² (typ)
Operating temperature	-20°C~70°C
Storage temperature	-30°C~80°C
Color chromaticity	[white] x:TBD, y:TBD.

版本 (Version)	变更记录 (Revise History)	日期 (Date)	设计 (DESIGN)	hebin
AO	Initial release	2022.12.12	审核 (CHECKED)	Aron
			批准 (APPROVED)	Aron
			客户承认 (CUSTOMER APPROVAL)	

日期 (Date)	设计 (DESIGN)	hebin
	审核 (CHECKED)	Aron
	批准 (APPROVED)	Aron
	客户承认 (CUSTOMER APPROVAL)	

TITLE: LCM+CTP	页面 (Page) 1 / 1
Drawing No. TSD2022121202	单位 (Unit) mm
	比例 (SCALE) 1 : 1
	角度 (Angle)